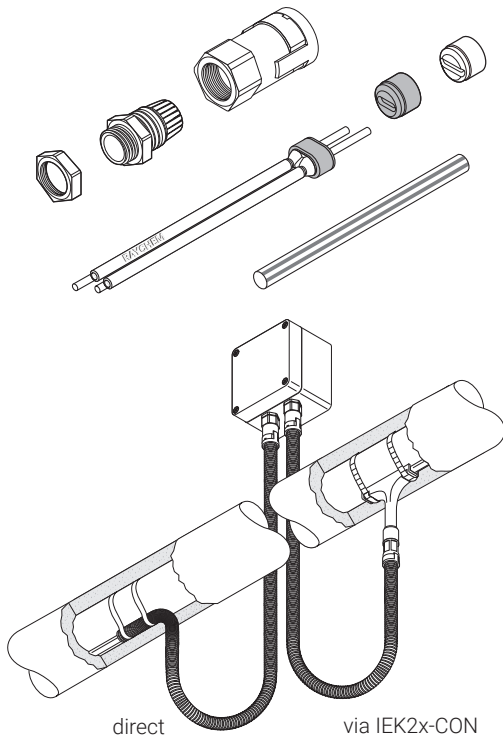


### COLD APPLIED CONDUIT CONNECTION KIT



This connection kit is designed for terminating all nVent RAYCHEM BTV, QTVR, XTV, KTV and VPL parallel industrial heating cables to a junction box, whilst maintaining electrical insulation of the heating cable conductors and core as well as providing a reliable and sealed connection to a conduit system. It is approved for use in hazardous locations.

The conduit system will provide supplementary mechanical protection of the heating cable between a junction box and the entry into the insulation. The conduit connection is fast and reliable and allows simple installation whilst maintaining an IP66 seal. The kit can be used with various types of conduits which can be cut-to-length as required in the field. The core sealing boot for the heating cable does not require a heat gun or torch for the installation (no need for a hot work permit). The non-curing sealant (silicone free) allows easy installation and facilitates maintenance purposes.

The conduit and eventually required insulation entry kit needs to be purchased separately.



#### APPLICATION



Connection kit with conduit adaptor for BTV, QTVR, XTV, KTV and VPL parallel industrial heating cables

#### KIT CONTENTS

- |  |   |
|--|---|
| 1 gland body,                                      | 1 core sealer,                            |
| 1 conduit adaptor including safety retention clip, | 1 green/yellow tube,                      |
| 2 grommets,  | 1 installation instruction (multilingual) |
| 1 locknut,   |   |

#### APPROVALS

- SEV 05 ATEX 0147U  
  


  RU C-BE.IM43.B.01712  
 Ex e IIC Gb U Ex tb IIIC Db U  
 Ta -55°C...+40°C IP66

## PRODUCT SPECIFICATION

Area classification	Hazardous, Zone 1, Zone 2 (Gas), Zone 21, Zone 22 (Dust)
Thread size	M25 x 1.5
Conduit compatibility	ND 23 mm, nVent RAYCHEM conduits type CCON25-C...
Ambient temperature	-55°C to +40°C
IP ingress protection rating	IP66
Surface resistance	< 1GΩ according to the requirements of EN 60079-0 and EN 61241-0 for use in hazardous areas

## ORDERING DETAILS

Part description	nVent RAYCHEM CCON25-100
PN (weight)	1244-003272 (0.075 kg)

## ACCESSORIES

For suitable conduits and insulation entry kits refer to the datasheet for CCON2x-C...

### North America

Tel +1.800.545.6258  
Fax +1.800.527.5703  
thermal.info@nvent.com

### Europe, Middle East, Africa

Tel +32.16.213.511  
Fax +32.16.213.604  
thermal.info@nvent.com

### Asia Pacific

Tel +86.21.2412.1688  
Fax +86.21.5426.3167  
cn.thermal.info@nvent.com

### Latin America

Tel +1.713.868.4800  
Fax +1.713.868.2333  
thermal.info@nvent.com



nVent.com

Our powerful portfolio of brands:

CADDY ERICO HOFFMAN RAYCHEM SCHROFF TRACER