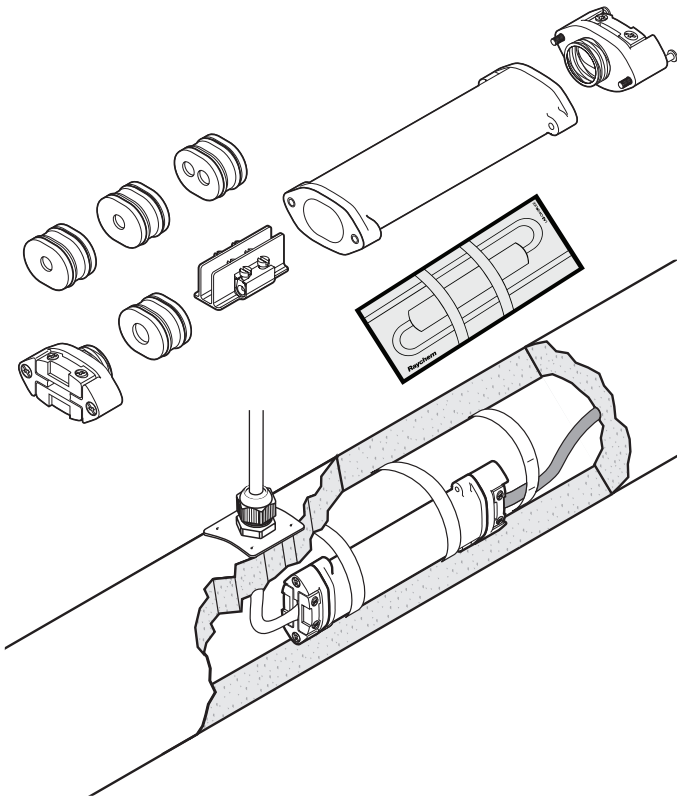


## COLD APPLIED LOW PROFILE POWER CONNECTION



The nVent RAYCHEM CS-150-UNI-PI is a universal low profile heating cable connector for the direct connection of single conductor Polymer Insulated (PI) series heating cables. It can be used in different configurations: for the connection of a cold lead to a heating cable (Variant C), as an under insulation connecting system for the connection of a three core power cable to a heating cable loop (Variant L), as well as for splicing two heating cables (Variant S).

The connector is certified for use in hazardous areas and doesn't require a hot work permit. The electrical connection is realized by means of screw terminals, so no special crimp tools are required. If used as a connection kit, an additional gland needs to be ordered separately.

### APPLICATION

"Cold" applied connection/splice for a single conductor polymer insulated (PI) series heating cables with an external diameter between 3.2 and 6.4 mm.

In hazardous area use only with ATEX approved heating cable.

The CS-150-UNI-PI can be used in different configurations:

- connection of a heating cable to a cold lead cable 1 x 2.5 mm<sup>2</sup> or 1 x 4 mm<sup>2</sup> (Variant C)
- connection of a heating cable to a power cable 3 x 2.5 mm<sup>2</sup> (Variant L)
- splice of two heating cables (Variant S)

### KIT CONTENTS

- 1 x temperature resistant and impact proof body.
- 1 x screw terminal block
- 4 x rubber seals (to be used according to application)
- 2 x strain relieve clamps with screws
- 1 x identification label
- 1 x tube of lubricant
- 1 x installation instruction

## APPROVALS

PTB 09 ATEX 1067U

II 2G Ex e II

II 2D Ex tD A21 IP66

IECEX PTB 09.0042U

Ex e II

Ex tD A21 IP 66

Ex e II / Ex tD A21 IP66



TC RU C-BE.ME92.B.00056

Particular measures to maintain the T-classification of polymer insulated heating cables are to be taken in accordance with the appropriate EC - Type examination certificate (also refer to installation instructions).

Type examination certification applies for the use of ATEX certified polymer insulated (PI) series heating cables.

## DIMENSIONS (IN MM)



## HEATING CABLE TYPES

Heating cable capability

nVent RAYCHEM XPI-NH, XPI and XPI-S polymer insulated (PI) series resistance cable, for other types contact nVent.

## MATERIALS OF CONSTRUCTION

Housing, connection

Glass fibre reinforced temperature resistant engineering plastic

Support ring, spacer, screws and spring

Stainless steel

Cable seals

Silicon rubber

## MAXIMUM OPERATING TEMPERATURE (\*)

Power on: 180°C (may be limited by the temperature resistance of the supply cable)

Power off: 210°C (using variant L, dependent on the type of supply cable e.g. 200°C for silicon cables, unless the power cable connection is bent sufficiently far away from the heated surface).

## MINIMUM INSTALLATION TEMPERATURE

-50°C

## MAX. OPERATING VOLTAGE

Variant C and S = 750 Vac

Variant L = 420 Vac

## MAX. ALLOWED WATTAGE

The max. allowed cable output is limited depending on the application. Refer to the installation instruction for details.

## MAX. PERMITTED NOMINAL CURRENT (\*)

---

Variant S: 32 A

Variant C with 1 x 2.5 mm<sup>2</sup> supply cable: 25 A

Variant C with 1 x 4 mm<sup>2</sup> supply cable: 32 A

Variant L with 3 x 2.5 mm<sup>2</sup> supply cable up to 150°C: 25 A

Variant L with 3 x 2.5 mm<sup>2</sup> supply cable 151°C to 180°C: 20 A

## SUPPLY CABLE DIMENSIONS

---

-> Multi-stranded copper conductors 3 x 2.5 mm<sup>2</sup>, Ø 7.8 -12.5 mm<sup>2</sup>

-> Single conductor cold lead, max. 1 x 4 mm<sup>2</sup>, Ø 3.2 - 6.4 mm

## SUPPLY CABLE REQUIREMENTS

---

The maximum permissible voltage drop is to be taken into consideration when selecting the cross-section of the power cable. The maximum working temperature of the CS-150-UNI-PI can be reduced through the maximum permitted continuous use temperature of the supply cable, unless the supply cable is laid (at a sufficient distance from the heated surface) so that the maximum permitted continuous use temperature will not be exceeded. A suitable power cable is the silicon insulated cable type C-150-PC.

## ACCESSORIES

---

Cable gland nVent RAYCHEM GL-36-M25 hazardous area approved gland for 8-17 mm power cables diameter  
nVent RAYCHEM GL-44-M20-KIT hazardous area approved gland for PI cables.

## ORDERING DETAILS

---

Order reference CS-150-UNI-PI  
Part number (Weight) A45371-000 (0.4 kg)

(\*) For the full range of technical design details of the CS-150-UNI-PI refer to the installation instructions (INSTALL-064)

### Europe, Middle East, Africa

Tel +32.16.213.511  
Fax +32.16.213.604  
thermal.info@nvent.com

### United Kingdom

Tel 0800 969 013  
Fax 0800 968 624  
salesthermalUK@nvent.com

### Ireland

Tel 1800 654 241  
Fax 1800 654 240  
salesIE@nvent.com



nVent.com

Our powerful portfolio of brands:

CADDY ERICO HOFFMAN RAYCHEM SCHROFF TRACER