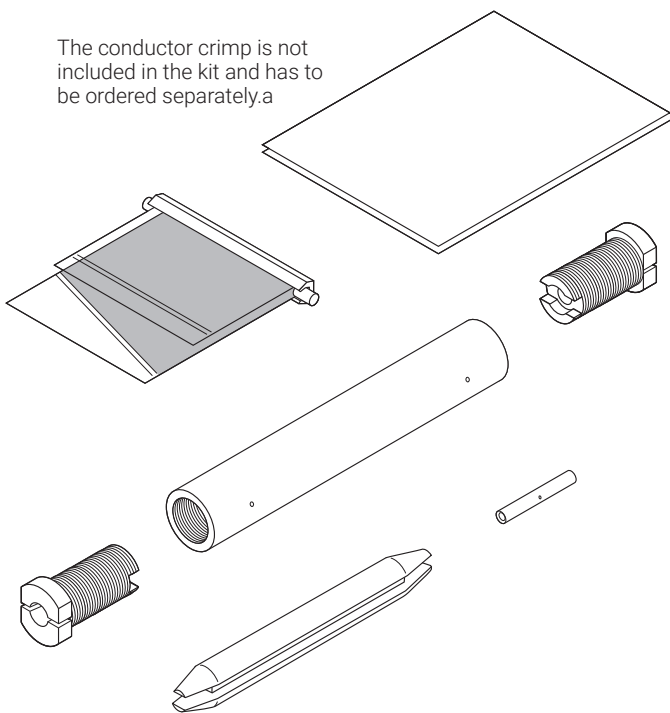


COLD APPLIED CONNECTION AND SPLICE KIT WITH SILICONE SEALING FOR POLYMER INSULATED (PI) HEATING CABLES

The conductor crimp is not included in the kit and has to be ordered separately.^a



The kits nVent RAYCHEM CS-150-xx-PI are designed to connect a PI cold lead cable to a polymer insulated (PI) series heating cable as well as to splice two PI heating cables. The kit employs a two component silicone compound to provide durable and flexible moisture proof encapsulation.

Electrical continuation is maintained via specially engineered crimps that provide a highly reliable electrical connection.

It is very important that the electrical crimp connections are performed with the correct crimp tool (PI-TOOL-xx).

Due to its low profile design, the connection can be easily installed under the insulation directly on the pipe. If used as a connection kit, a cable gland, an insulation entry kit as well as a crimp for the connection between the cold lead and the heating cable, need to be ordered separately. If used as a splice kit, just the heating cable conductor crimp is needed additionally.

For simplified installation- and maintenance work, we offer a crimp toolbox that contains the suitable installation tool, crimping dies and a variety of crimps exactly matching common cable types. For all details concerning the crimping system, refer to the datasheet of the electrical connection system for PI heating cables (PI-TOOL-SET-xx).



APPLICATION

Cold applied silicone sealed connection/splice for PI heating cables.

KIT CONTENTS

- 1 x PTFE body
- 2 x PTFE plugs
- 1 x PTFE crimp separator
- 1 x two component silicone compound in plastic bag (shelf life is 12 months)
- 2 x braid crimps
- 1 x identification label
- 1 x multilingual installation instruction

APPROVALS

- PTB 08 ATEX 1101 U
-  II 2G Ex e II / II 2D EX tD A21 IP65
- IECEX PTB 08.0050U
- Ex e II 2G Ex e II / Ex tD A21 IP65
-  TC RU C-BE.ME92.B.00056

DIMENSIONS

CS-150-2.5-PI: Overall length ~120 mm, Ø ~17 mm

CS-150-6-PI: Overall length ~120 mm, Ø ~26 mm

CS-150-25-PI: Overall length ~135 mm, Ø ~35 mm

TECHNICAL DATA

	CS-150-2.5-PI	CS-150-6-PI	CS-150-25-PI
Max. operating temperature	200°C continuous, (260°C intermittent)		
Max. operating voltage	450 Vac nominal		
Max. operating current	Only limited by heating cable used		
Cable/Cold leads	Up to 2.5 mm ²	4 to 6 mm ²	10 to 25 mm ²

ORDERING DETAILS

Order reference	CS-150-2.5-PI	CS-150-6-PI	CS-150-25-PI
Part number (Weight)	1244-000586 (0.1 kg)	1244-000588 (0.2 kg)	1244-000587 (0.3 kg)

ACCESSORIES

Cable gland for connection kit	GL-44-M20-KIT (one piece per cold lead connection; to be ordered separately)
--------------------------------	--

Europe, Middle East, Africa

Tel +32.16.213.511
Fax +32.16.213.603
thermal.info@nvent.com

United Kingdom

Tel 0800 969 013
Fax 0800 968 624
salesthermaluk@nvent.com

Ireland

Tel 1800 654 241
Fax 1800 654 240
salesle@nvent.com



nVent.com

Our powerful portfolio of brands:

CADDY ERICO HOFFMAN RAYCHEM SCHROFF TRACER