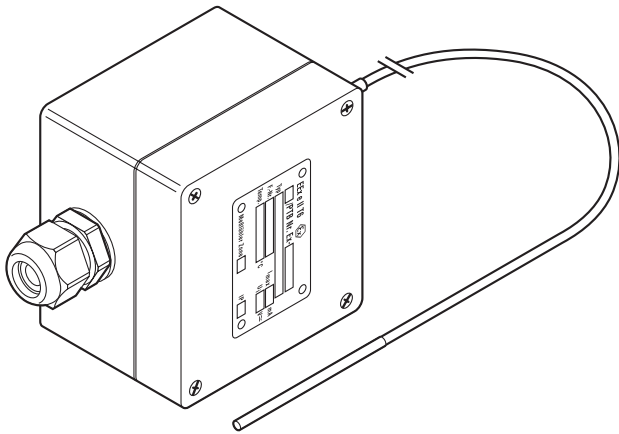


TEMPERATURE SENSOR FOR HAZARDOUS AREAS



3 wire nVent RAYCHEM Pt 100 sensor connected to a black glass fiber reinforced polyester junction box with 4 front entry spring-type terminals.

M20 EEx e cable gland preinstalled.

AREA OF USE

Hazardous environment Zone I

APPROVALS

Baseefa11ATEX0068X

 II 2 GD

Ex e IIC T6 Ta -50°C to +60°C Gb

Ex tb IIIC T85°C Ta -50°C to +60°C Db IP66

IECEX BAS 11.0033X

Ex e IIC T6 Ta -50°C to +60°C Gb

Ex tb IIIC T85°C Ta -50°C to +60°C Db IP66

  TC RU C-BE.ИМ43.В.01764
 000 "ТехИмпорт"
 1Ex e IIC T6 Gb X
 Ex tb IIIC T85°C Db X
 IP66 Ta -60°C...+60°C
 Made in GB

SENSOR

Type	Pt 100 (3 wire) DIN IEC 751, Class B.
Material	extension cable and tip both stainless steel (MI)
Temperature measuring range	-100°C to +500°C
Maximum exposure temp. tip	+585°C
Length	2 m
Diameter	ca 3 mm
Minimum bending radius	extension cable: 20 mm, the measuring tip should not be bent

ENCLOSURE

Material	Glass fiber reinforced polyester (black)
Ingress protection	IP66
Dimensions	With = 80 mm Height = 75 mm Depth = 55 mm
Cable entry	M20 (EEx e) suitable for cable diameters ranging from 10 mm to 14 mm
Operating temperature	-50°C to +60°C
Sealing gasket material	tongue and groove system with silicone seal
Cover screws	Stainless steel M4 threaded
Mounting	For pipe mount use JB-SB-26 wall mount surface mount via moulded holes at 68 x 45 mm

INSTALLATION AND CONNECTION

Terminals	4 front entry spring-type terminals
Terminal sizing	suitable for cables from 0.5 mm ² to 2.5 mm ²

ORDERING DETAILS

Part Description	nVent RAYCHEM MONI-PT100-EXE
PN (Weight)	967094-00 (0.44 kg)

North America

Tel +1.800.545.6258
Fax +1.800.527.5703
thermal.info@nvent.com

Europe, Middle East, Africa

Tel +32.16.213.511
Fax +32.16.213.604
thermal.info@nvent.com

Asia Pacific

Tel +86.21.2412.1688
Fax +86.21.5426.3167
cn.thermal.info@nvent.com

Latin America

Tel +1.713.868.4800
Fax +1.713.868.2333
thermal.info@nvent.com



nVent.com

Our powerful portfolio of brands:

CADDY ERICO HOFFMAN RAYCHEM SCHROFF TRACER