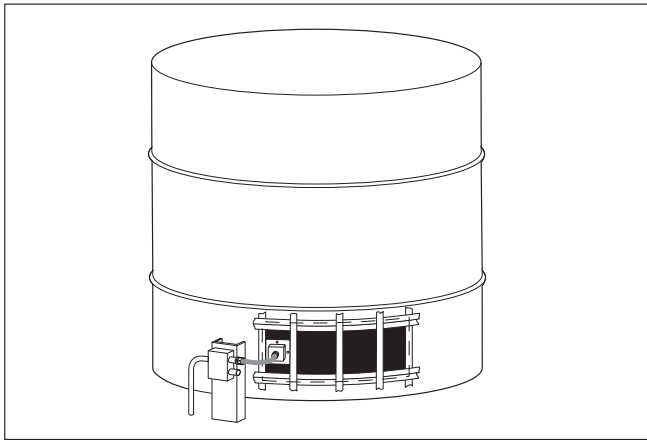




RAYCHEM

RHS Installation Kit

RAYCHEM Heating System Tank Heater Installation Kit Installation Instructions



DESCRIPTION

The nVent RAYCHEM RHS installation kit is used for attaching RHS tank heaters to a tank wall. The kit contains materials for mounting up to two RHS tank heaters. RHS-H-500 and RHS-L-150 heaters will each require approximately one adhesive tube; RHS-H-1000 and RHS-L-300 heaters will each require approximately one and one half tubes of adhesive; and RHS-H-1400 and RHS-L-420 heaters will each require two tubes of adhesive.

The installation kit must be used in conjunction with the RAYCHEM Heating System Installation Instructions (H55207). For technical support call (800) 545-6258.

Note: Do not use the RTV adhesive if the date stamp has expired. Contact your nVent representative for a new kit.

nVent requires the use of GE RTV106 for installing RHS heaters.

APPROVALS

Ordinary and Hazardous Locations



Class I, Div. 2, Groups B, C, D
Class II, Div. 1 & 2, Groups E, F, G
Class III

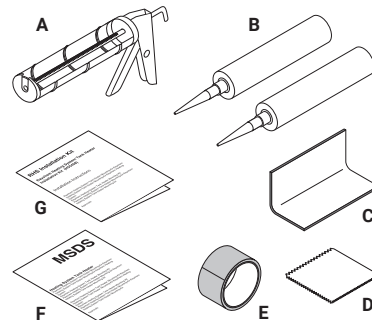
All hazardous location applications must be engineered by nVent.

T-ratings:

Low-watt heaters: T4A
High-watt heaters (Class I): T2C
High-watt heaters (Class II & III): Contact nVent

KIT CONTENTS

Item	Qty	Description
A	1	Caulking gun
B	2	RTV adhesive tubes
C	1	Wedge
D	1	Trowel
E	1	AT-180 tape (30 feet)
F	1	MSDS VEN/0004
G	1	Installation instructions



CAUTION:

Uncured adhesive can irritate eyes. Read warnings on tube. Consult MSDS VEN/0004 for additional information.

North America

Tel +1.800.545.6258
Fax +1.800.527.5703
thermal.info@nvent.com

Europe, Middle East, Africa

Tel +32.16.213.511
Fax +32 16 21 36 04
thermal.info@nvent.com

Asia Pacific

Tel +86.21.2412.1688
Fax +86.21.5426.3167
cn.thermal.info@nvent.com

Latin America

Tel +1.713.868.4800
Fax +1.713.868.2333
thermal.info@nvent.com



nVent.com